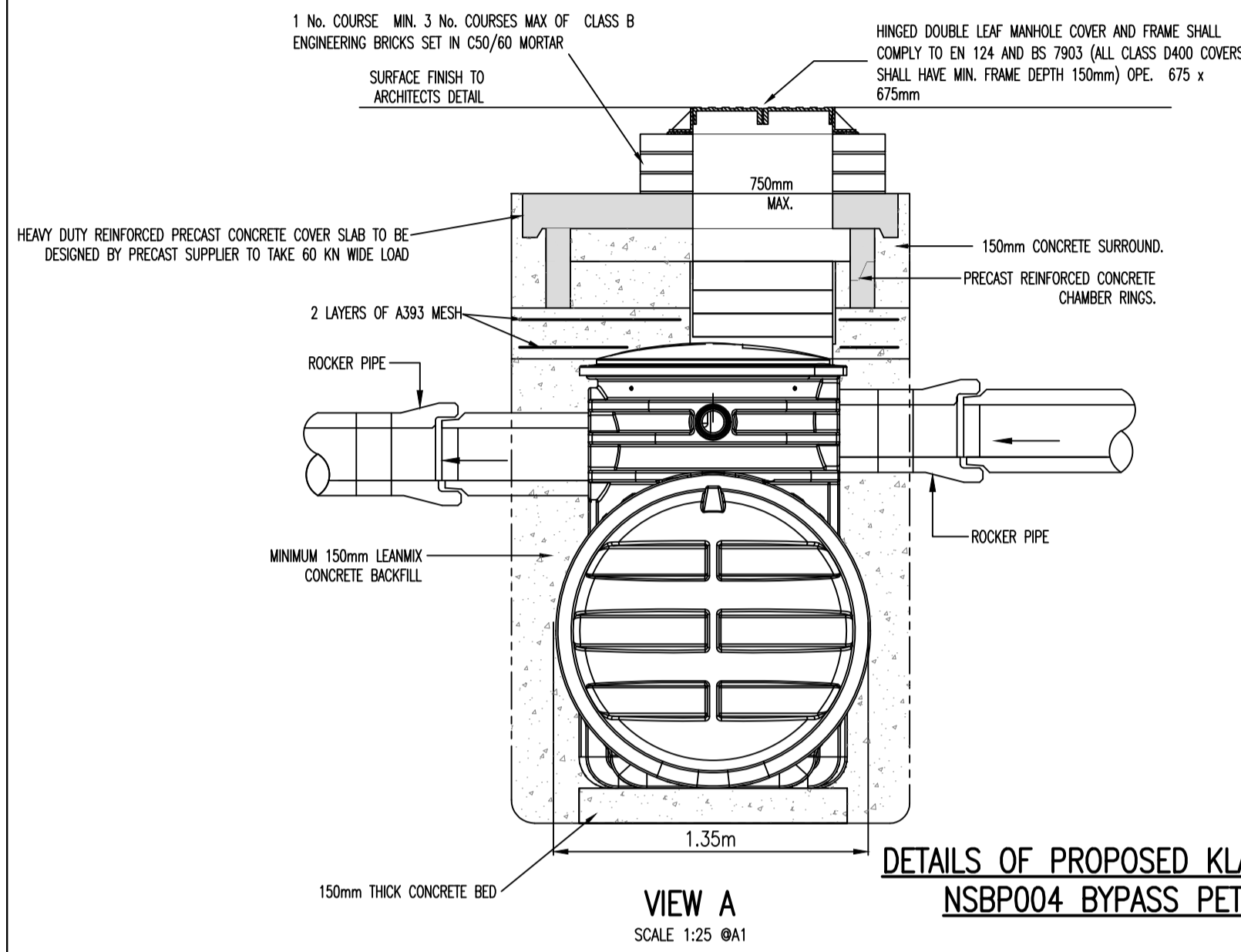
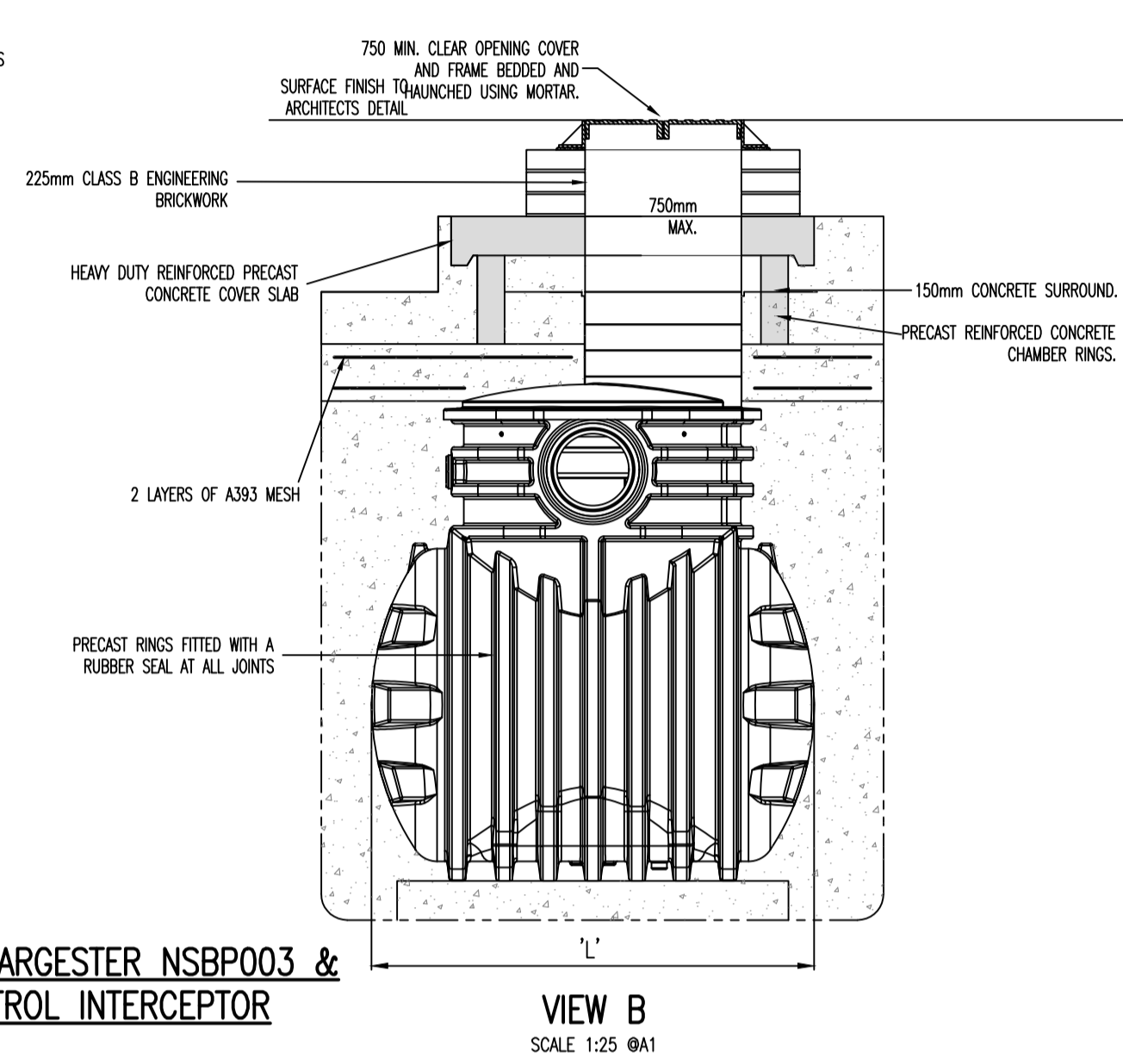


- Notes:-
- Inlet/Outlet pipes are plain pipe standard EN 858 states minimum connection sizes, units ordered with different sized connections are not fully compliant with the standard.
  - Extension necks for deeper inverts can be provided. These can be cut in 200 mm sections. Max 2.0m Invert recommended. Please ask our sales department for further details.
  - All units require appropriate cover and frame to suit applied loadings.
  - This drawing should be used for dimensional information only. It is essential that this drawing is read in conjunction with the installation guidelines from the supplier. 76 mm tube (internal) is supplied to house an oil alarm probe.
  - Wet site conditions - Concrete Backfill Dry site conditions - Pea Shingle Backfill
  - A Ø 76 mm tube (internal) is supplied to house an oil alarm probe.

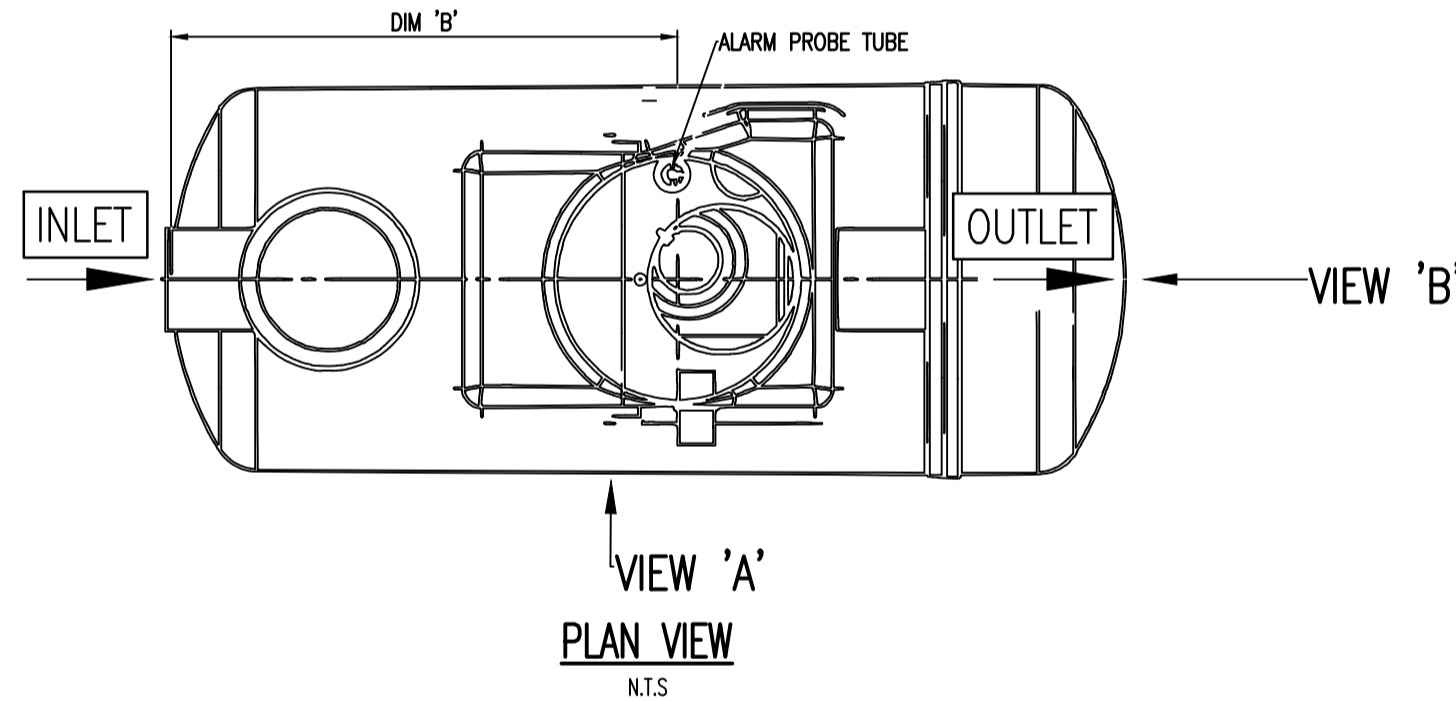
Outlet Size 'B'	Inlet Size 'A'	Fall across unit	Approx Empty Weight (kgs)	Dim L (mm)	Nominal Flow	Unit Ref No
Ø300 mm	Ø300 mm	100	180	1700	3 L/s	NSBP003
Ø300 mm	Ø300 mm	100	180	1700	4.5 L/s	NSBP004



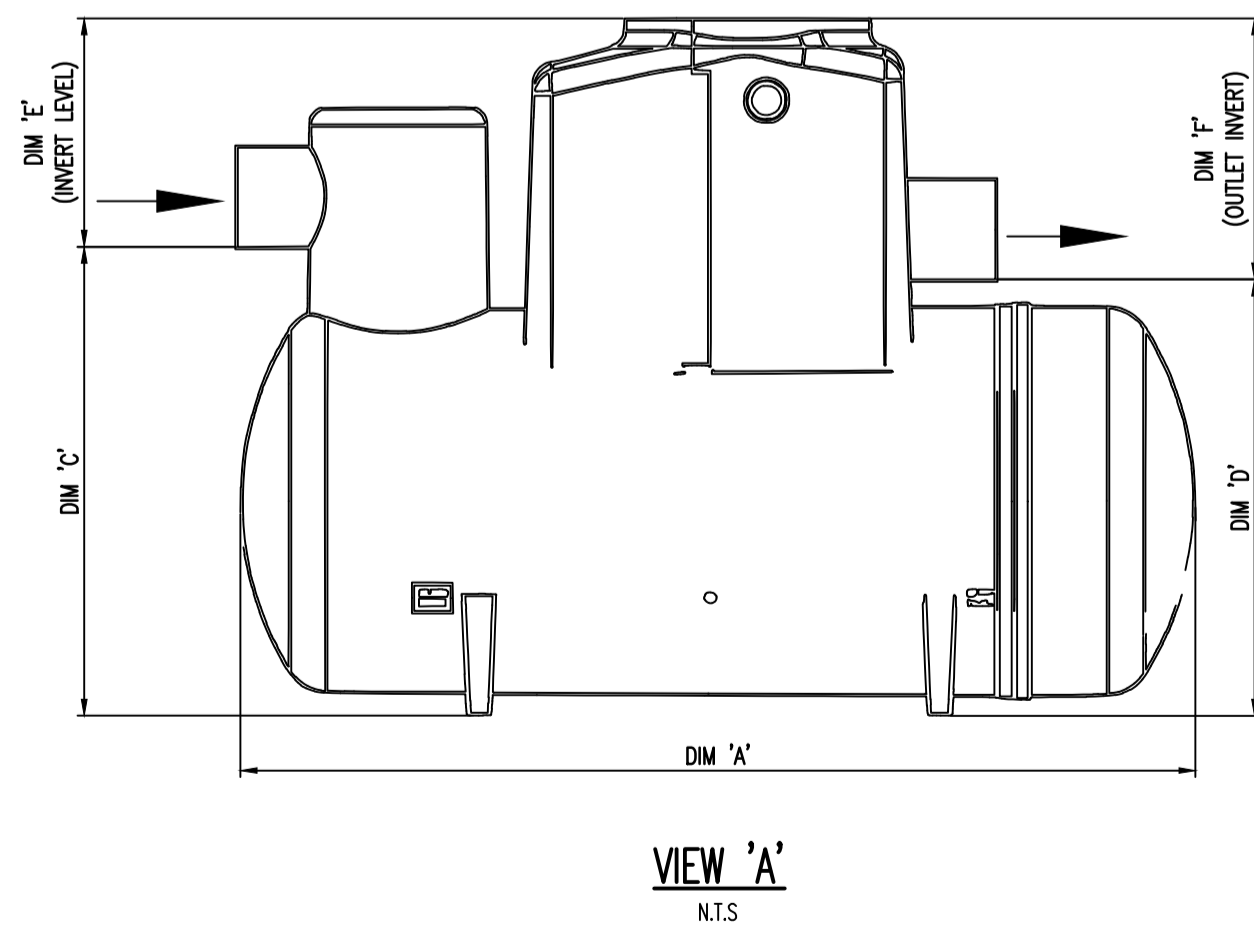
DETAILS OF PROPOSED KLARGESTER NSBP003 & NSBP004 BYPASS PETROL INTERCEPTOR



VIEW B SCALE 1:25 @A1

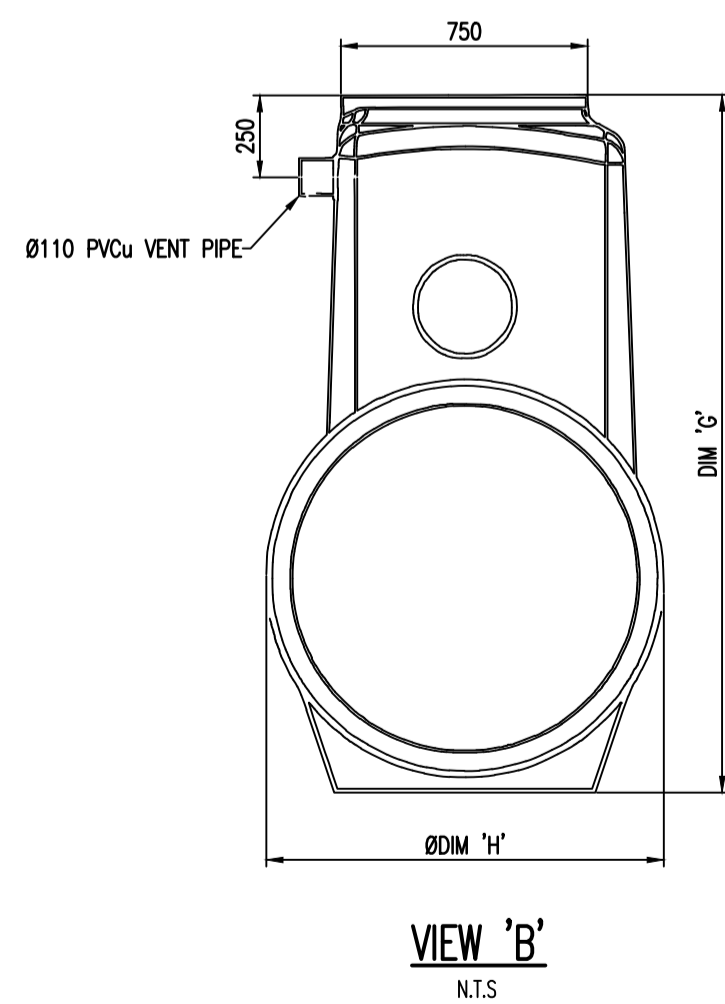


VIEW A PLAN VIEW N.T.S.



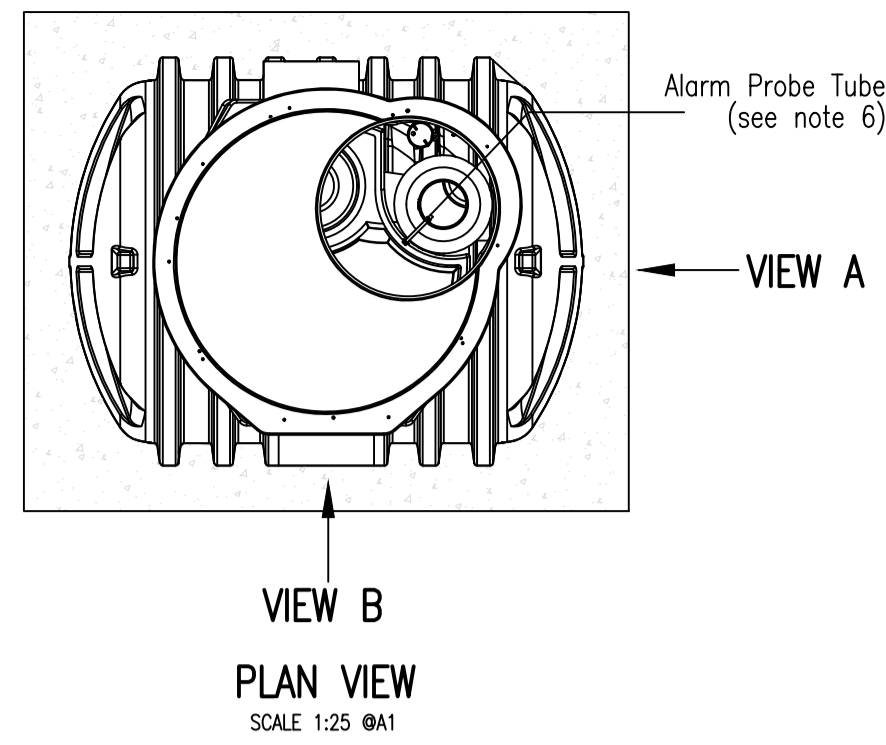
VIEW A N.T.S.

DETAILS OF PROPOSED KLARGESTER BYPASS NSBE010 PETROL INTERCEPTOR

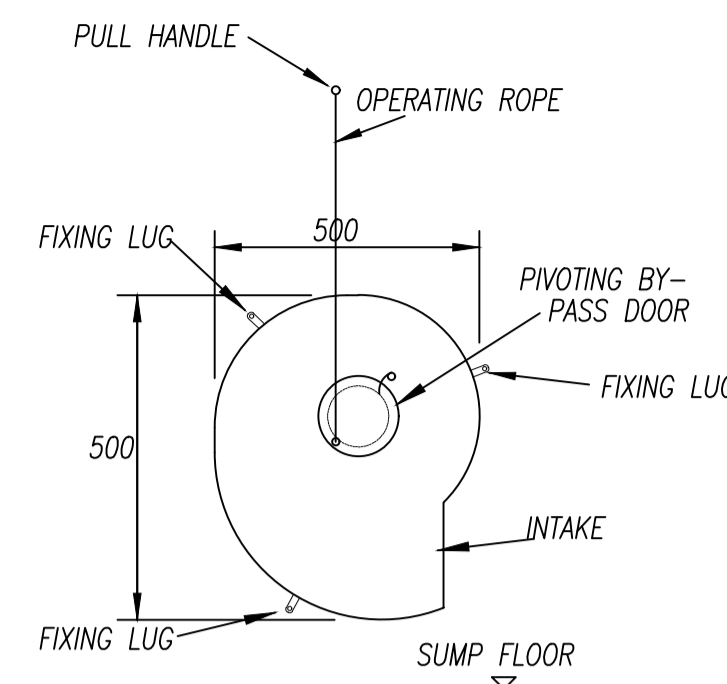


VIEW B N.T.S.

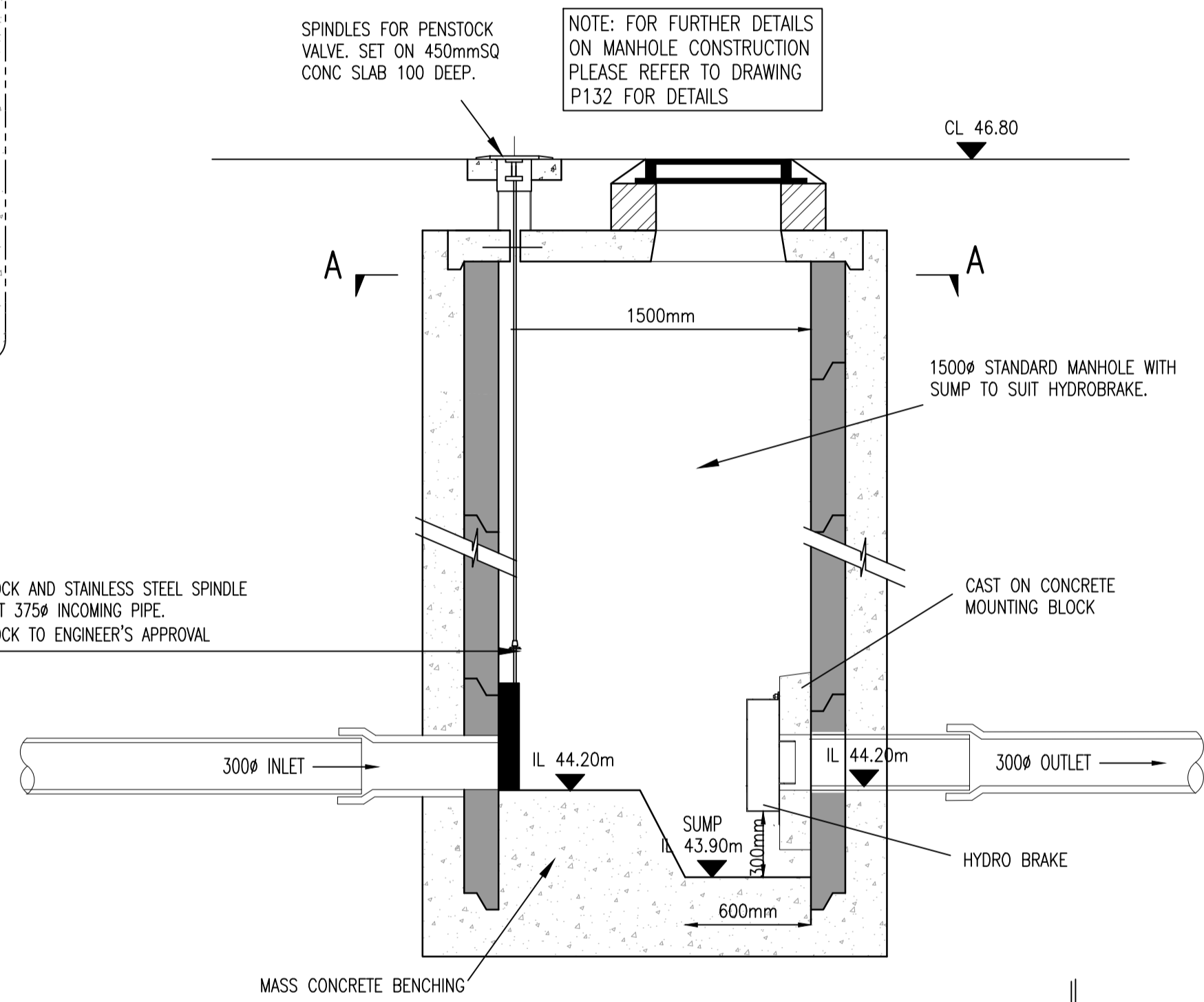
UNIT	FLOW (l/sec.)	DIM. 'A'	DIM. 'B'	DIM. 'C'	DIM. 'D'	DIM. 'E'	DIM. 'F'	DIM. 'G'	DIM. 'H'	STD. PIPE Ø	EMPTY WEIGHT (kg)	FALL ACROSS UNIT
NSBE010	10.0	2070	1095	1450	1350	700	800	2150	1220	315	160	100



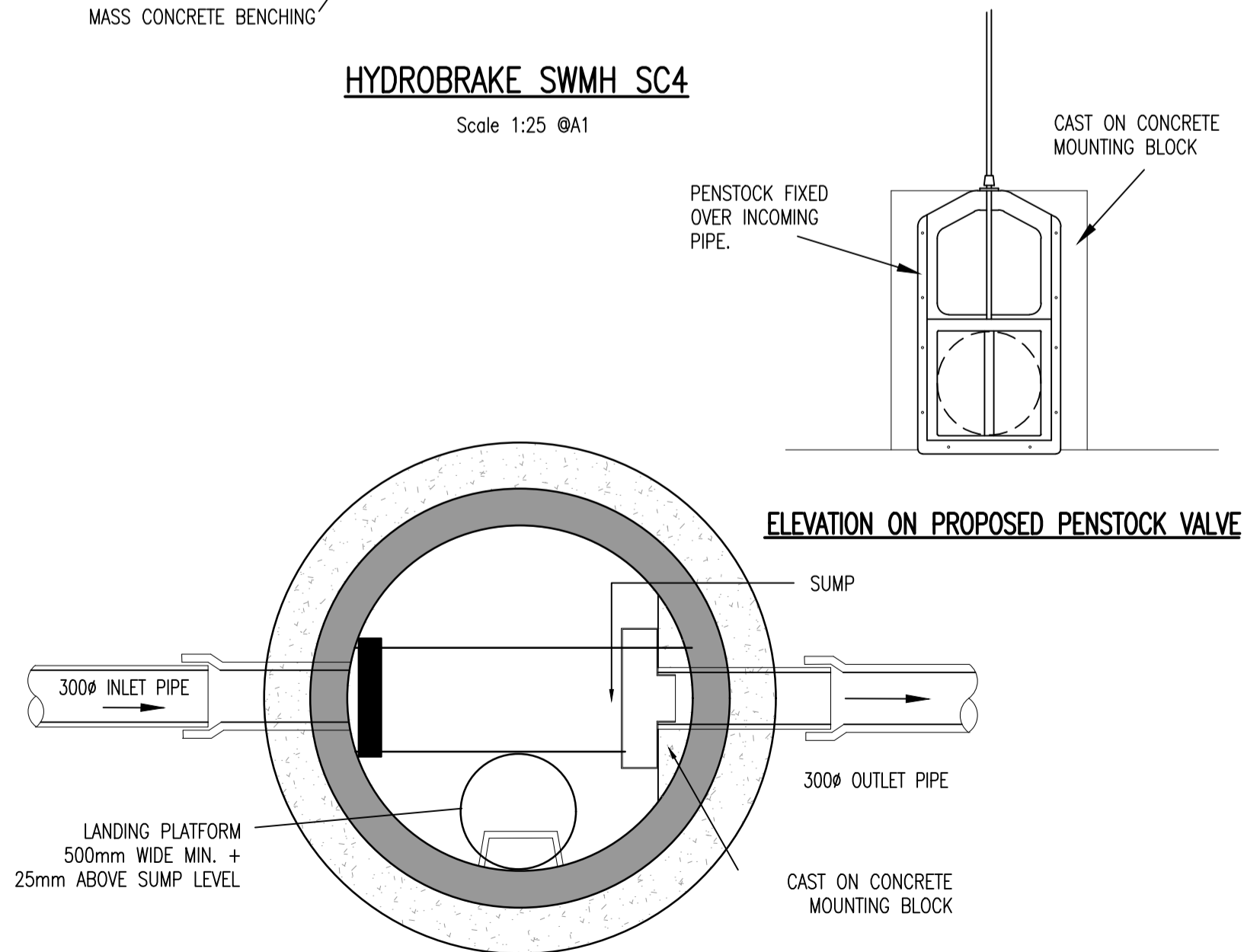
VIEW B PLAN VIEW SCALE 1:25 @A1



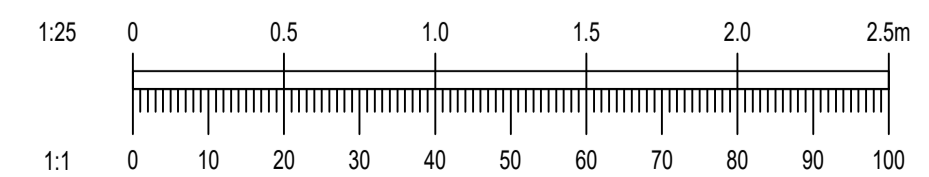
HYDRO BRAKE DETAIL N.T.S.



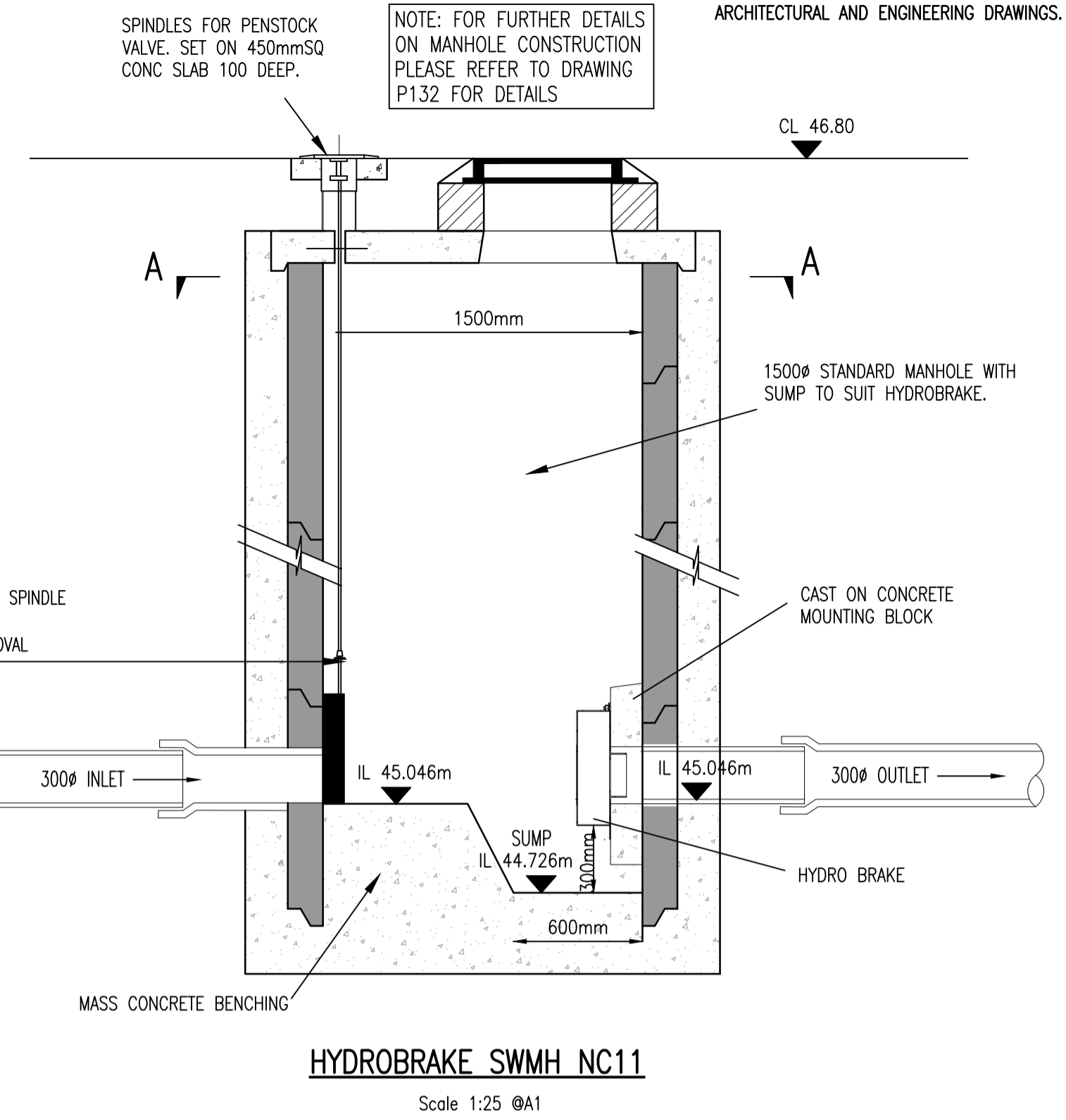
HYDROBRAKE SWMH SC4 Scale 1:25 @A1



SECTION A - A Scale 1:25 @A1



- NOTES:
- DO NOT SCALE. USE FIGURED DIMENSIONS ONLY.
  - THIS DRAWING IS TO BE READ IN CONJUNCTION WITH ALL OTHER RELEVANT ARCHITECTURAL AND ENGINEERING DRAWINGS.



HYDROBRAKE SWMH NC11 Scale 1:25 @A1

REV.	DATE	AMENDMENT	DRN	APPD

STATUS **FOR PLANNING ONLY NOT FOR CONSTRUCTION**

**Waterman Moylan**  
Engineering Consultants  
BLOCK 8, EASTPOINT BUSINESS PARK, ALFIE BYRNE ROAD, DUBLIN D03 H3F4 IRELAND. Tel: (01) 664 8900 Email: info@waterman-moylan.ie www.waterman-moylan.ie

CLIENT **CAIRN HOMES**  
ARCHITECT **OMP ARCHITECTS**  
PROJECT **BLAKES RESIDENTIAL DEVELOPMENT, STILLORGAN, CO. DUBLIN.**

TITLE **PROPOSED HYDROBRAKE AND PETROL INTERCEPTOR DETAILS**

DRAWN	DESIGNED	APPROVED	DATE
G. Byrne	EN	BG	MAR. '22
SCALE	JOB NO.	DRG. NO.	REVISION
AS SHOWN	20-071	P131	