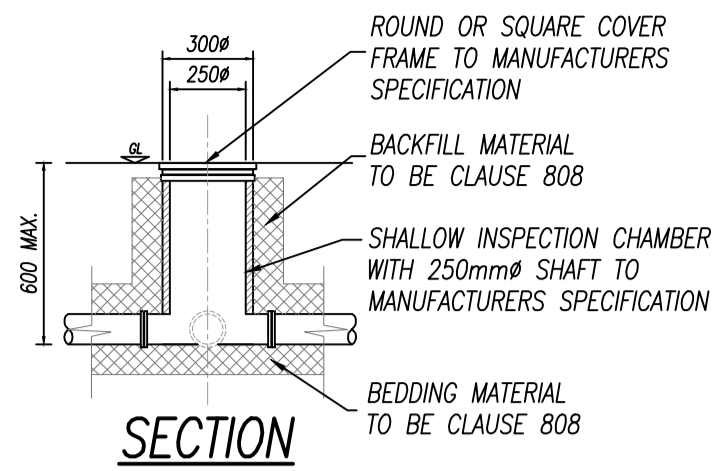
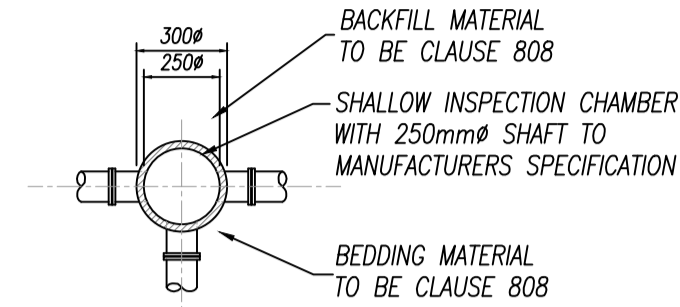


- NOTES:
- DO NOT SCALE. USE FIGURED DIMENSIONS ONLY.
 - THIS DRAWING IS TO BE READ IN CONJUNCTION WITH ALL OTHER RELEVANT ARCHITECTURAL AND ENGINEERING DRAWINGS.

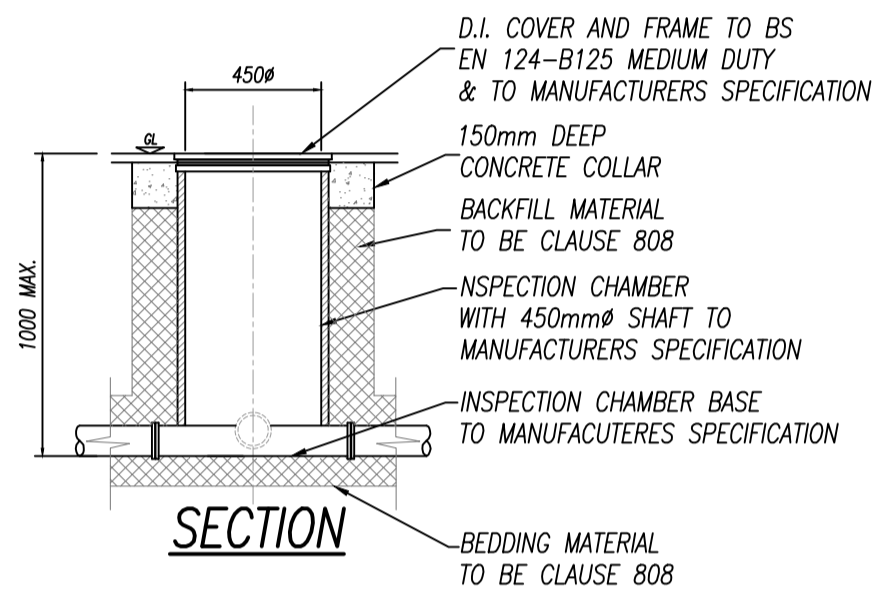


SECTION

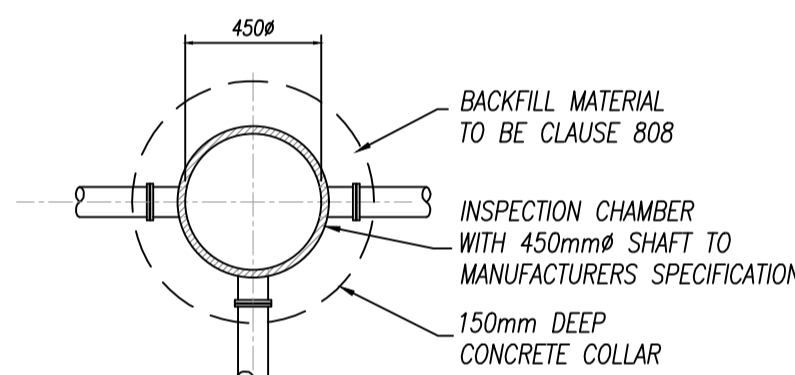


PLAN
CIRCULAR INSPECTION CHAMBER WHERE
INVERT IS 0.6m OR LESS BUILDING
REGULATIONS TGD SECTION H TABLE 9

SCALE 1:25



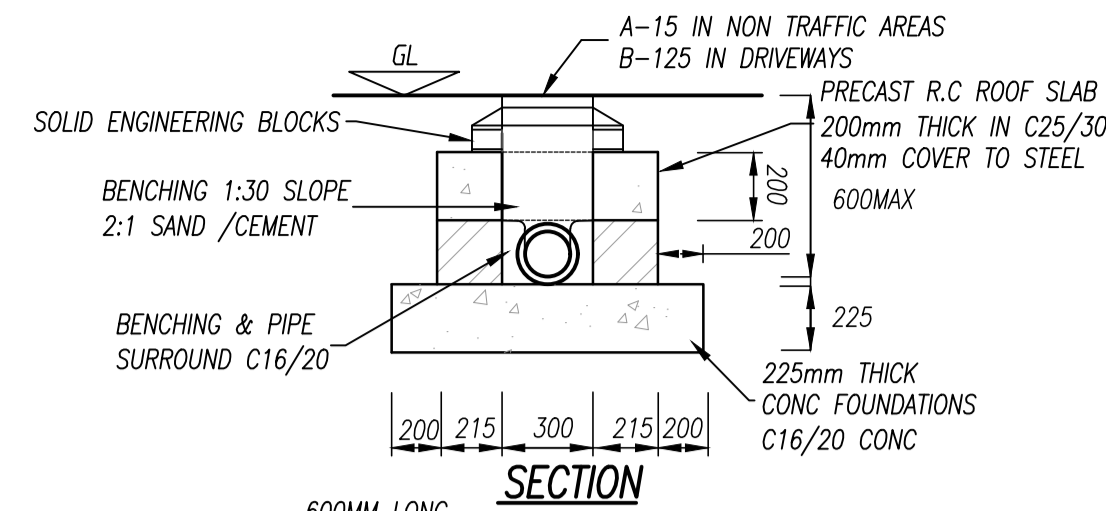
SECTION



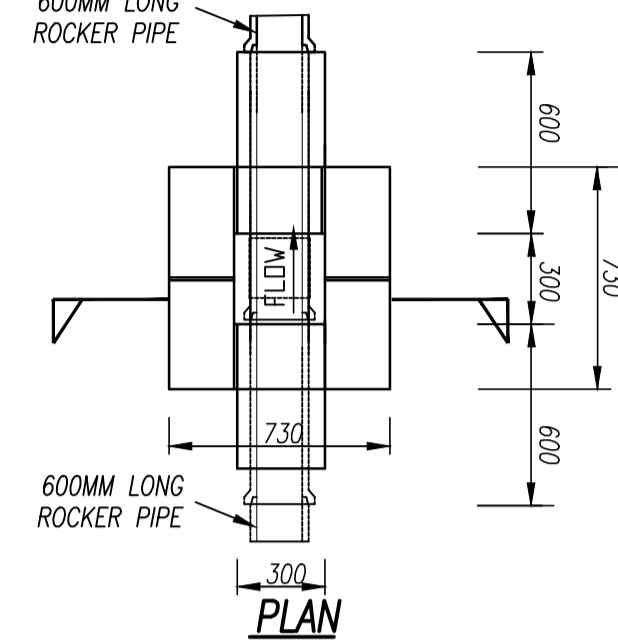
PLAN

CIRCULAR INSPECTION CHAMBER WHERE
INVERT IS 1m OR LESS BUILDING
REGULATIONS TGD SECTION H TABLE 9

SCALE 1:25 @A1



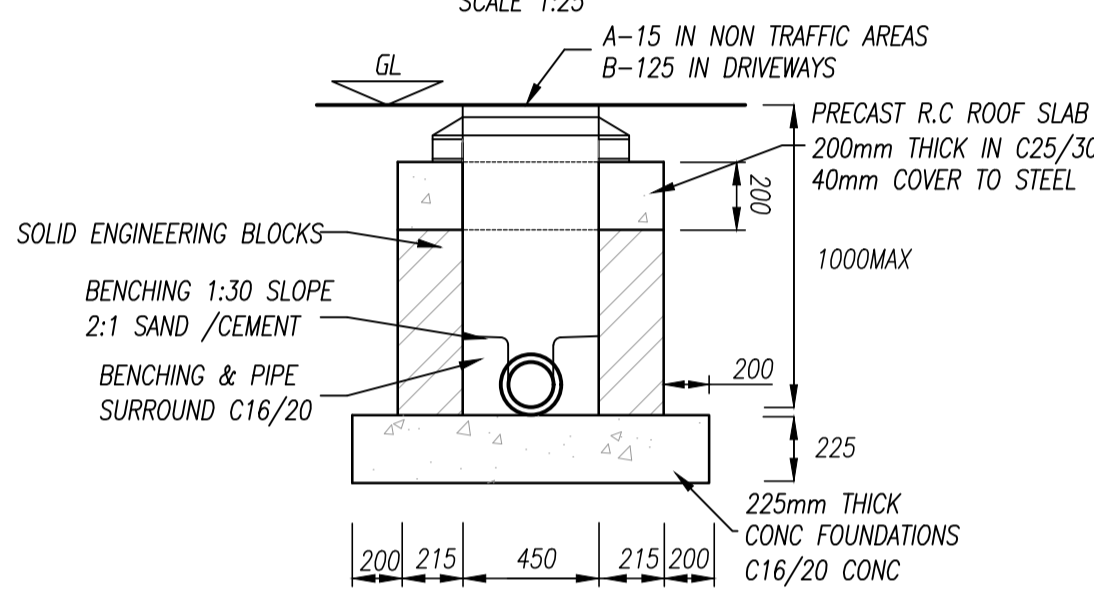
SECTION



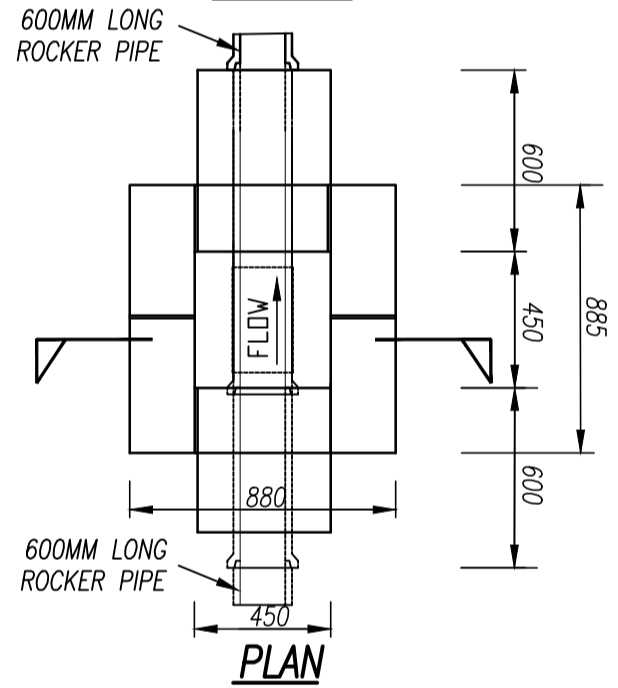
PLAN

INSPECTION CHAMBER WHERE INVERT IS 0.6m OR LESS
BUILDING REGULATIONS TGD SECTION H TABLE 9

SCALE 1:25



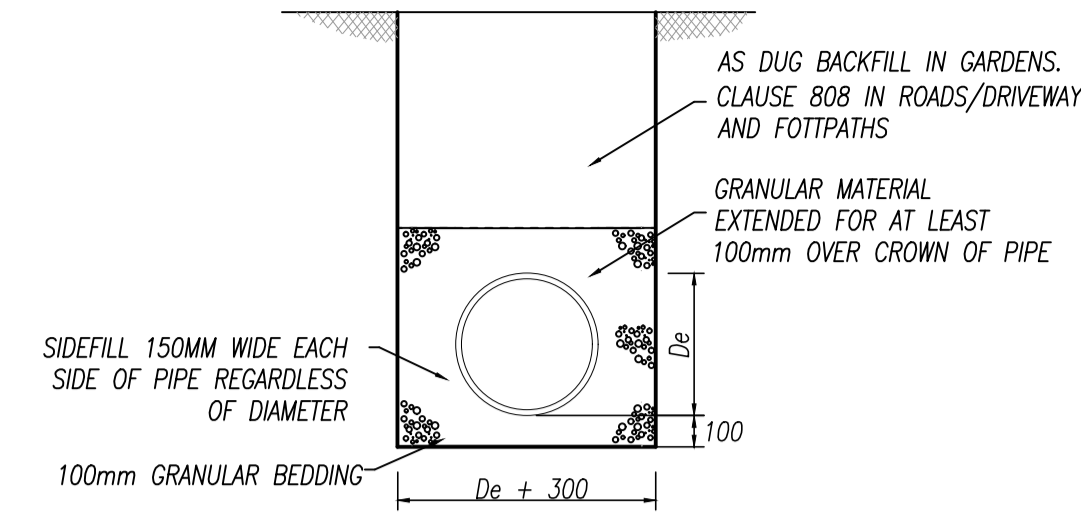
SECTION



PLAN

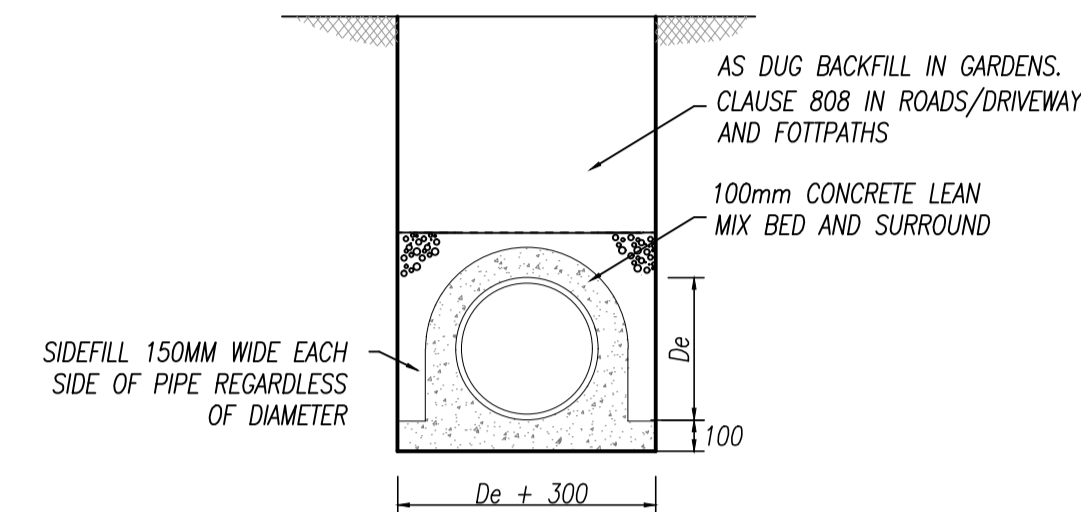
INSPECTION CHAMBER WHERE INVERT IS 1m OR LESS
BUILDING REGULATIONS TGD SECTION H TABLE 9

SCALE 1:25 @A1



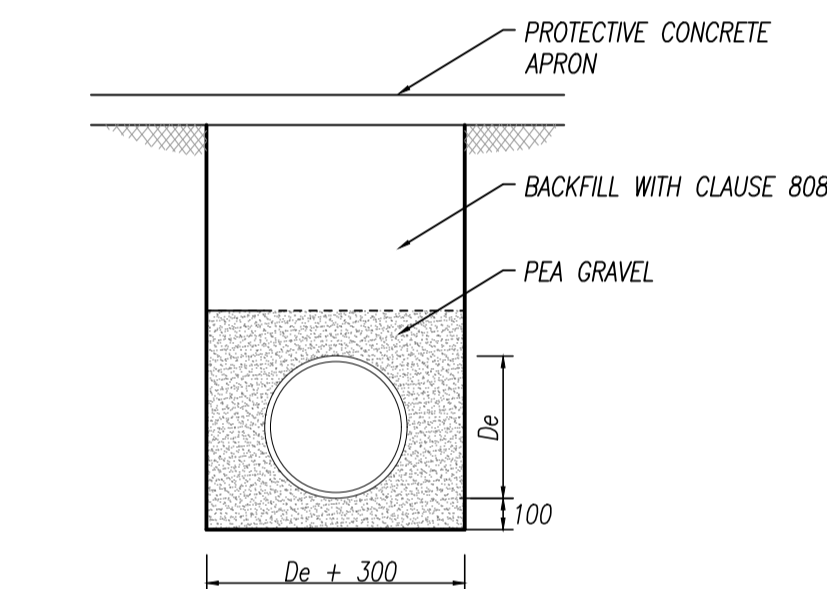
PIPES BEDDED IN GRANULAR MATERIAL
COVER > 0.9m IN ROADS
COVER > 0.6m IN GARDENS

SCALE 1:25 @A1



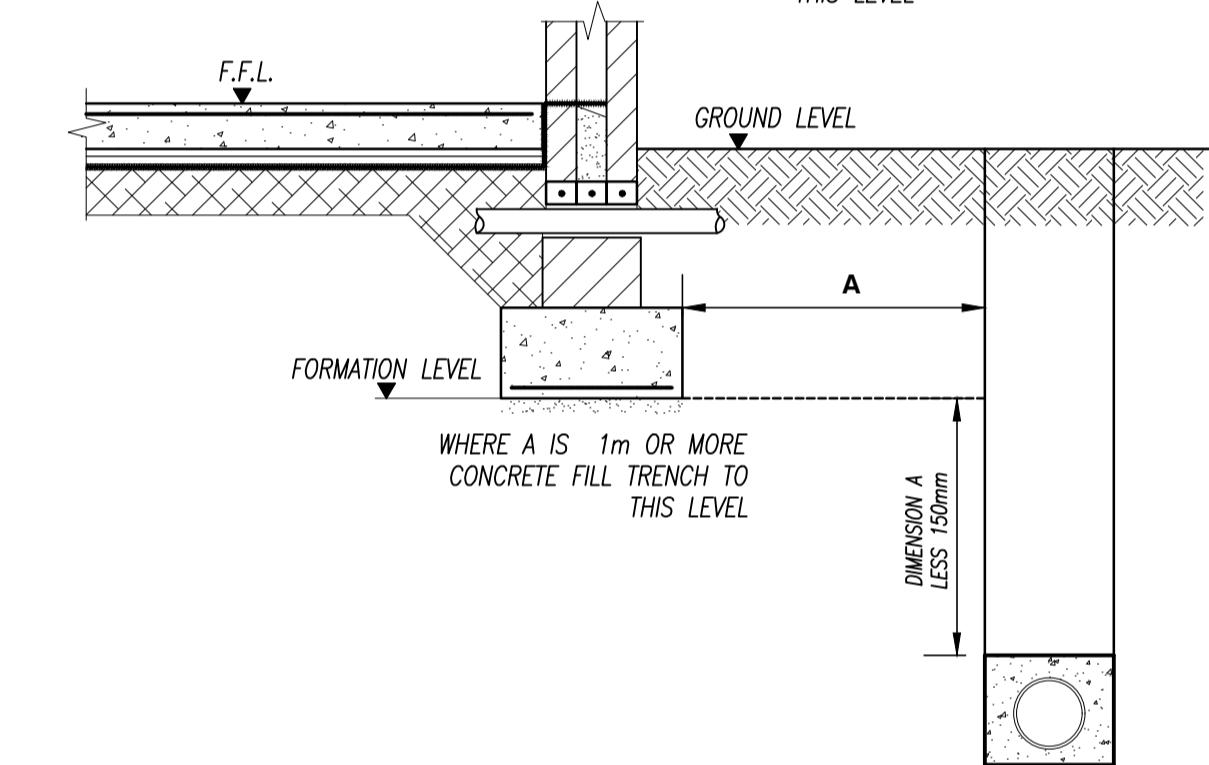
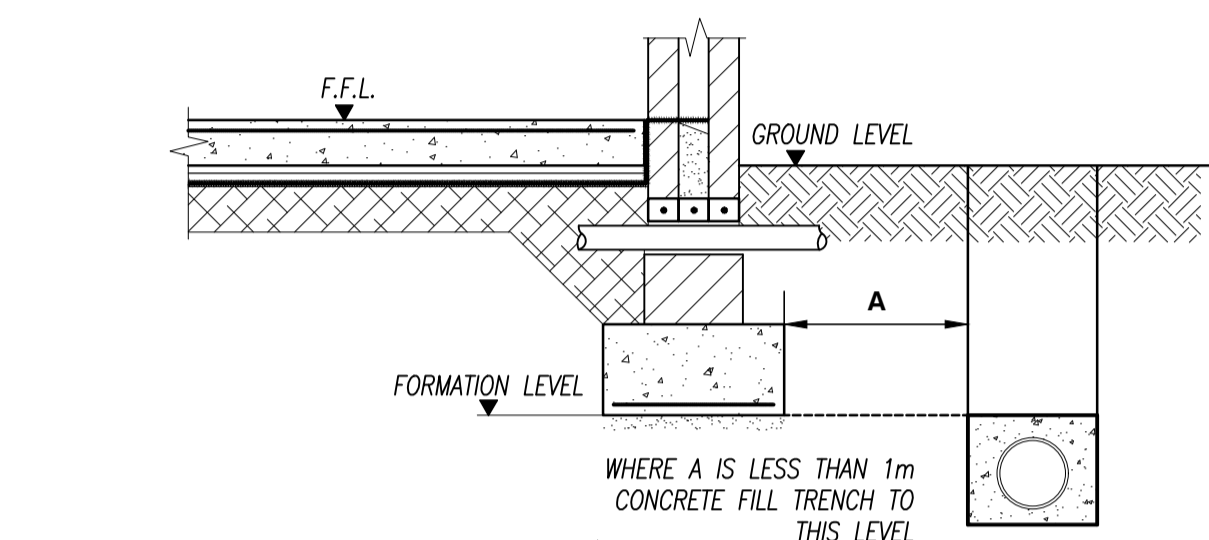
PIPES BEDDED IN GRANULAR MATERIAL
COVER < 0.9m IN ROADS
COVER < 0.6m IN GARDENS

SCALE 1:25 @A1



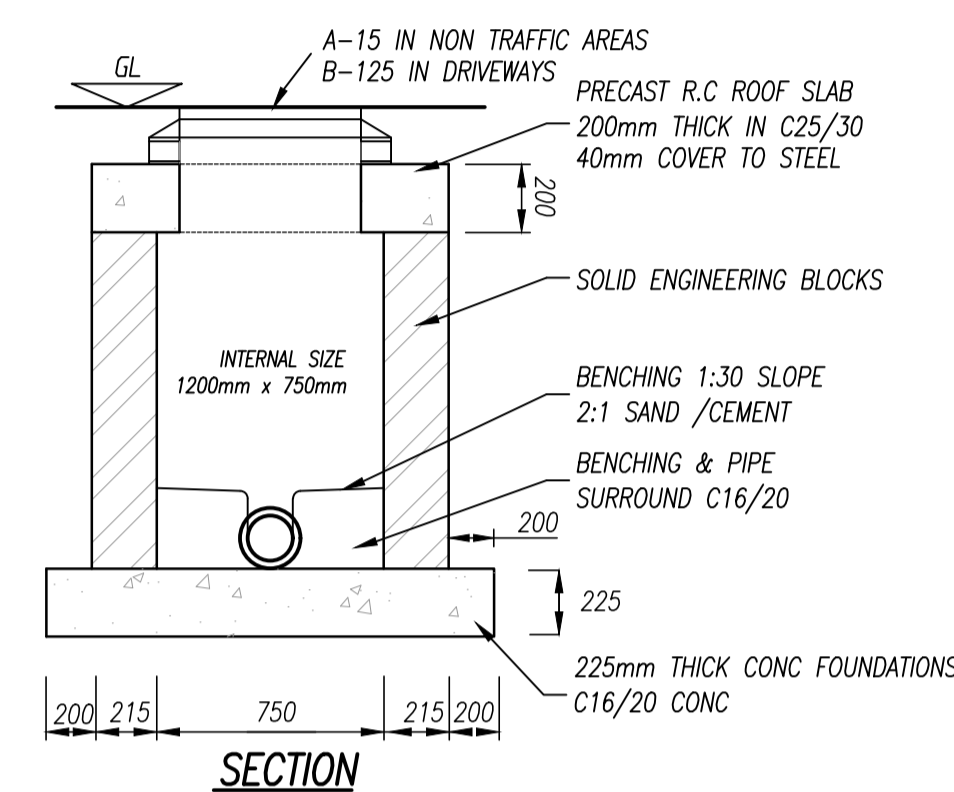
PIPES BEDDING ALTERNATIVE DETAIL
COVER < 0.9m IN ROADS
COVER < 0.6m IN GARDENS

SCALE 1:25 @A1

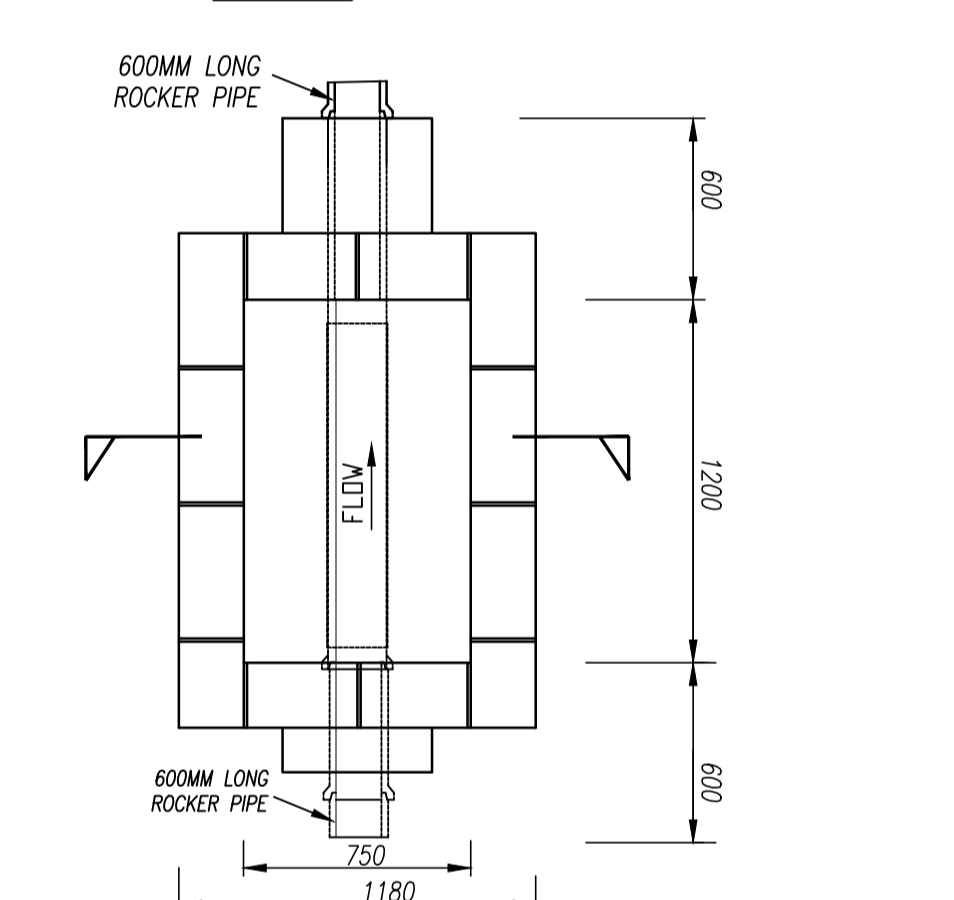


TYPICAL DETAIL WHERE PIPE RUNS NEAR BUILDINGS

SCALE 1:25 @A1



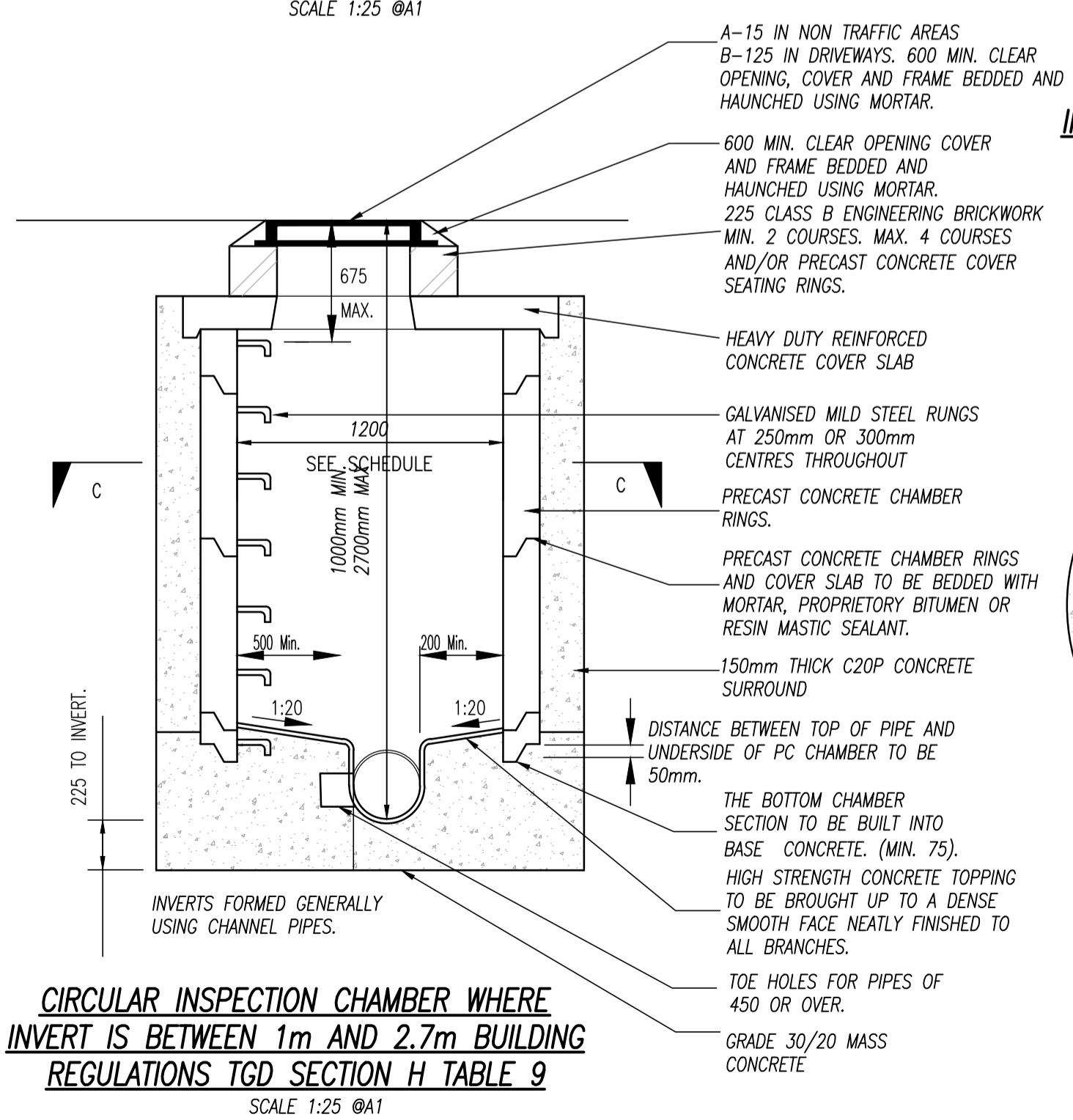
SECTION



PLAN

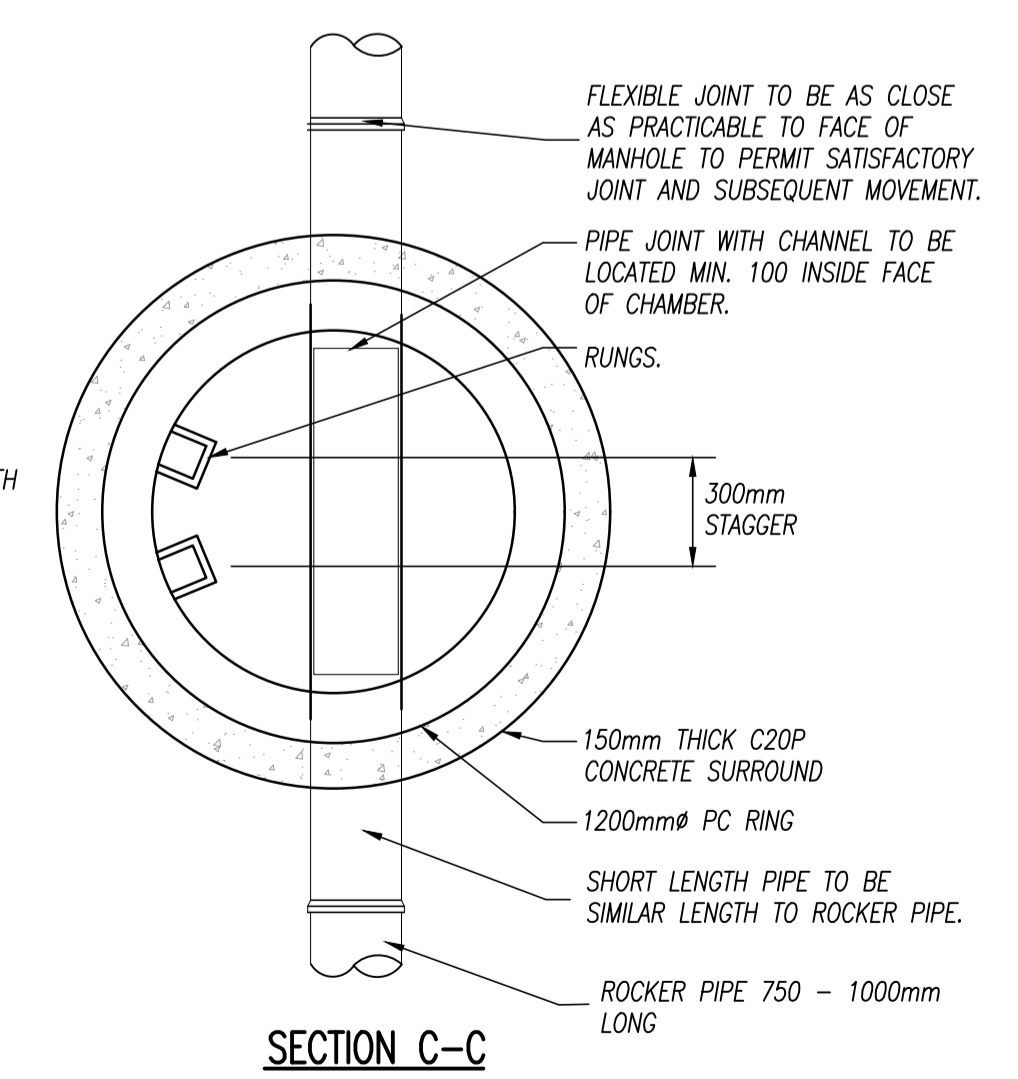
INSPECTION CHAMBER DEPTH TO INVERT IS BETWEEN 1m
AND 2.7m BUILDING REGULATIONS TGD SECTION H TABLE 9

SCALE 1:25 @A1



CIRCULAR INSPECTION CHAMBER WHERE
INVERT IS BETWEEN 1m AND 2.7m BUILDING
REGULATIONS TGD SECTION H TABLE 9

SCALE 1:25 @A1

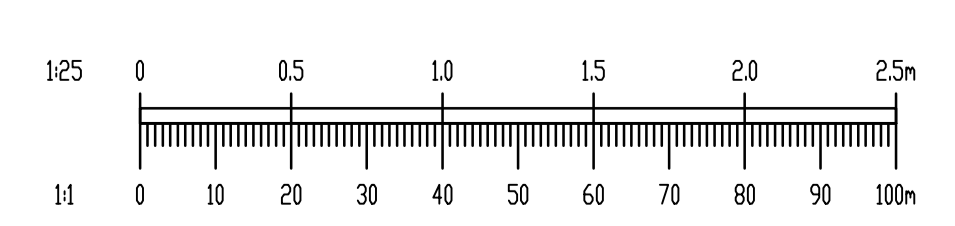


SECTION C-C

SCALE 1:25 @A1

Type	Depth to (m)	Internal Sizes		Cover Sizes	
		length x width (mm x mm)	Circular (mm)	length x width (mm x mm)	Circular (mm)
Rodding eye					
Access Fitting					
small	0.6 or less	150 x 100	150	150 x 100	150
large		300 x 100	-	300 x 100	-
Inspection Chamber					
	0.6 or less	300 x 300	190*	300 x 300	190*
	1.0 or less	450 x 450	450	450 x 450	450**
Manhole					
	1.5 or less	1200 x 750	1000	600 x 600	600
	over 1.5	1200 x 750	1200	600 x 600	600
	over 2.7	1200 x 840	1200	600 x 600	600
Shaft					
	over 2.7	900 x 840	900	600 x 600	600

Note:
* For clayware or plastics may be reduced to 430mm in order to provide support for cover and frame
** Drains up to 150mm



REV.	DATE	AMENDMENT	DRN	APPD

STATUS **FOR PLANNING ONLY
NOT FOR CONSTRUCTION**

Waterman Moylan
Engineering Consultants
BLOCK 8, EASTPOINT BUSINESS PARK, ALFIE BYRNE ROAD,
DUBLIN D03 H3F4 IRELAND. Tel: (01) 664 8900
Email: info@waterman-moylan.ie www.waterman-moylan.ie

CLIENT **CAIRN HOMES**
ARCHITECT **OMP ARCHITECTS**

PROJECT **BLAKES RESIDENTIAL DEVELOPMENT,
STILLORGAN,
CO. DUBLIN.**

TITLE **PRIVATE SURFACE WATER DRAINAGE DETAILS**

DRAWN	DESIGNED	APPROVED	DATE
G.Byrne	EN	BG	MAR' 22
SCALE	JOB NO.	DRG. NO.	REVISION
AS SHOWN	20-071	P133	